

# Air Conditioning

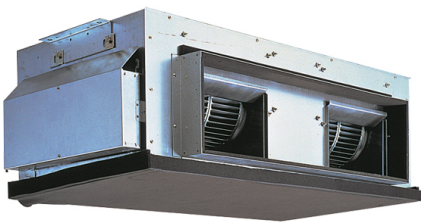
## Product Information

### PEA-RP200GAQ : Standard Inverter Heat Pump

R410A Large Capacity Ceiling Concealed Ducted System



The Standard Inverter range offers customers all the features and benefits of inverter technology whilst being cost effective



## FEATURES



### INDOOR

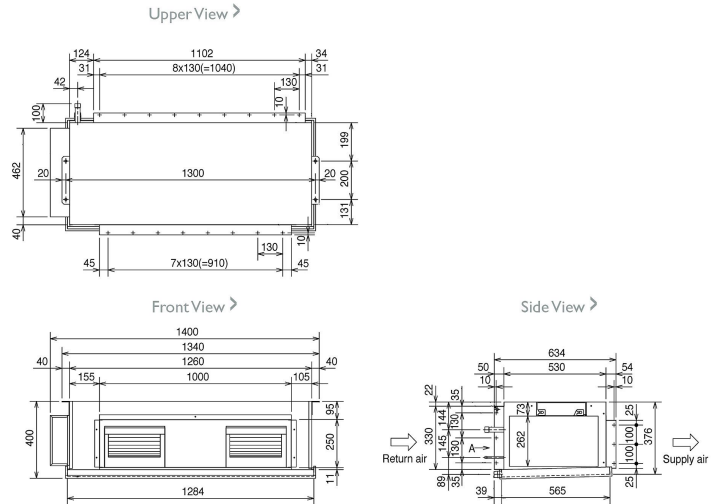
Heating Capacity (kW) (nominal)	22.4 (9.5 - 25)
Cooling Capacity (kW) (nominal)	19 (9 - 22.4)
Heating Capacity (kW) (UK)	19.1 (8.1 - 21.25)
Cooling Capacity (kW) (UK)	17.5 (8.3 - 20.6)
SHF (nominal and UK)	0.81
COP / EER (nominal)	3.04 / 2.64
Energy Efficiency Class - Heating / Cooling	D / D
Pipe Size Gas (mm [in])	28.58 (1 1/8")
Pipe Size Liquid (mm [in])	9.52 (3/8")
External Static Pressure (Pa)	150
Airflow (m <sup>3</sup> /min) Lo-Hi	52 - 65
Sound Pressure Level (dBA) Lo-Hi	48 - 51
Dimensions (mm) Width x Depth x Height	1400 x 634 x 400
Weight (kg)	70
Electrical Supply	380-415V, 50HZ
Phase	THREE
Power Input (kW) nominal / UK	1 / 0.89
Starting Current (A)	5.6
Running Current (A) [MAX]	2 [2.4]
Fuse Rating (BS88) - HRC (A)	6
Interconnecting Cable No. Cores	3

### OUTDOOR

Sound Pressure Level (dBA) Heating / Cooling	59 / 59
Weight (kg)	126
Dimensions (mm) Width x Depth x Height	950 x (330+30) x 1350
Electrical Supply	380-415V, 50HZ
Phase	THREE
System Power Input (kW) - Heating / Cooling (nominal)	7.36 / 7.21
System Power Input (kW) - Heating / Cooling (UK)	6.55 / 6.13
Starting Current (A)	5
System Running Current (A) Heating / Cooling [MAX]	9.88 / 9.47 [19.0]
Fuse Rating (BS88) - HRC (A)	20
Mains Cable No. Cores	5
Max Pipe Length (m)	70
Max Height Difference (m)	30
Charge R410A (kg) - Pre charged length (m)	5.8 - 30

### DIMENSIONS

PEA-RP200GAQ



### DIMENSIONS

PUHZ-P200YHA3

